

xFUME™ ROBO

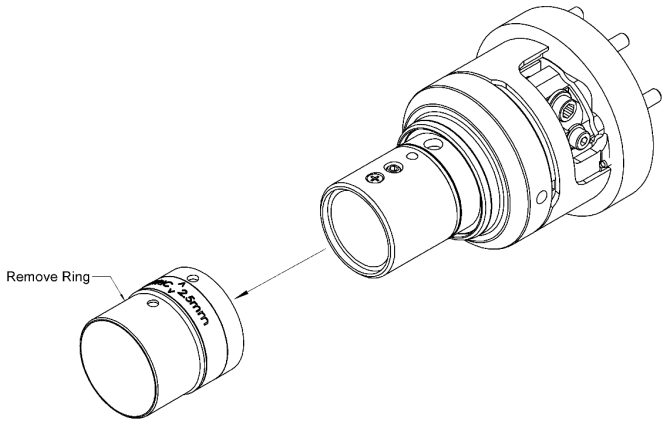
Installation Instructions

**for ABIROB Air-Cooled Through-Arm Torches
INT.9044**



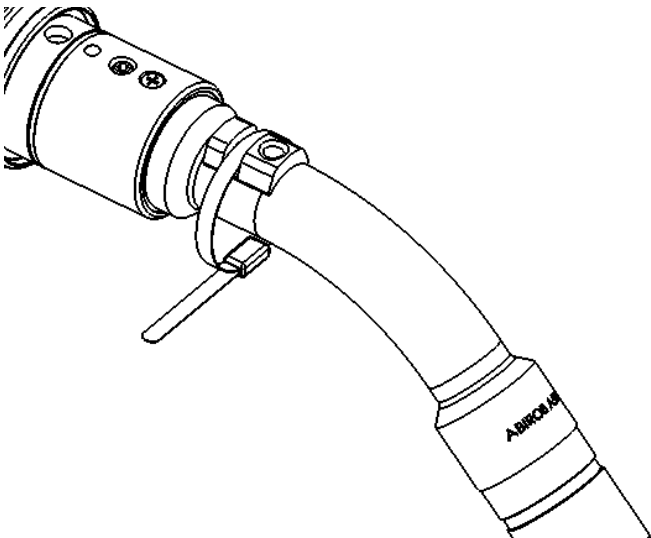
1 Before Installation Begins

- The IM (Intermediate Module) cover ring must be removed from the IM.



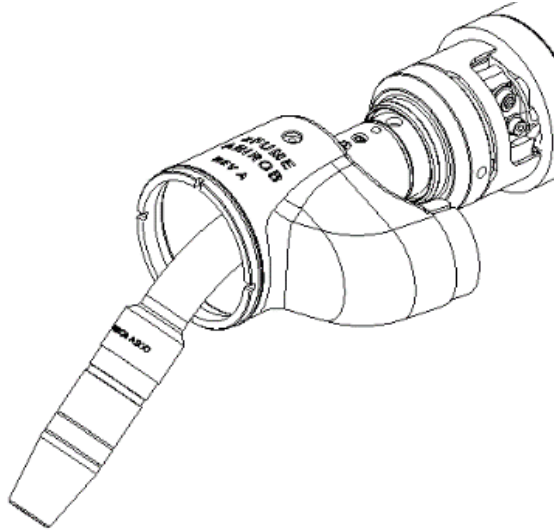
2 Install Locking Tab

- Install the locking tab to the outside curvature of the swanneck using the supplied metal zip tie. Pull the zip tie tight using a pair of pliers. Bend excess back and forth to break off.

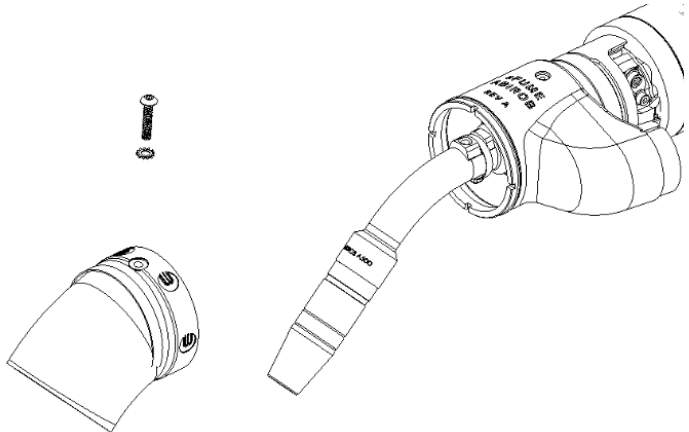


3 Install Housing

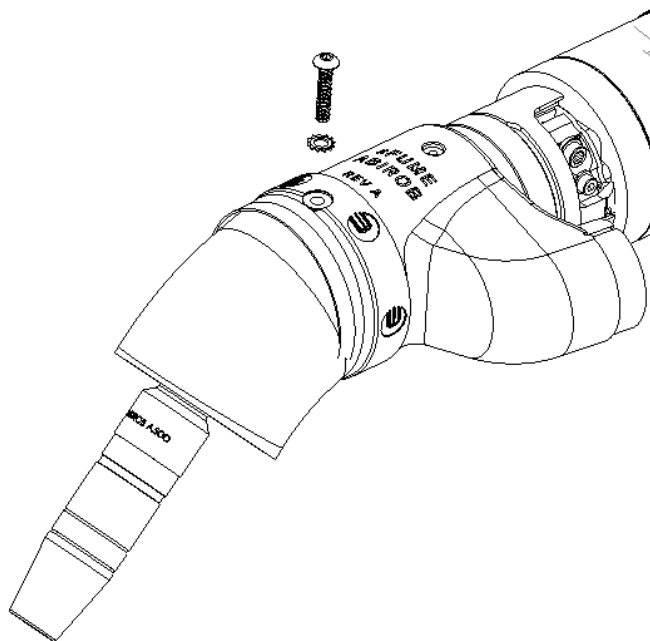
- Install RoboFume™ housing by sliding it over the intermediate module.



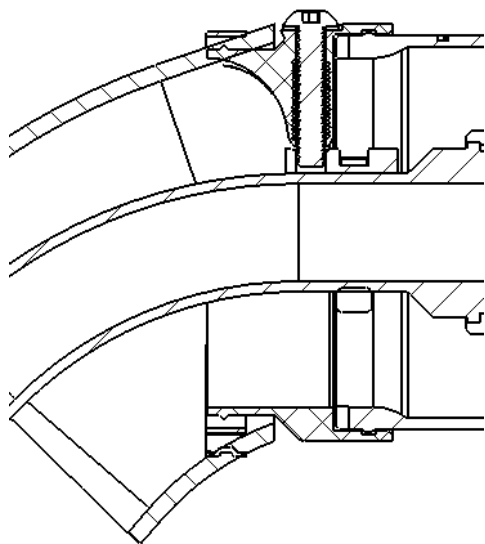
- Holding the housing in place, slide the suction boot coupler ring over the swanneck and snap into position on the housing.



- Line the screw up with the curvature of the swanneck; it should be directly over top of the locking tab.

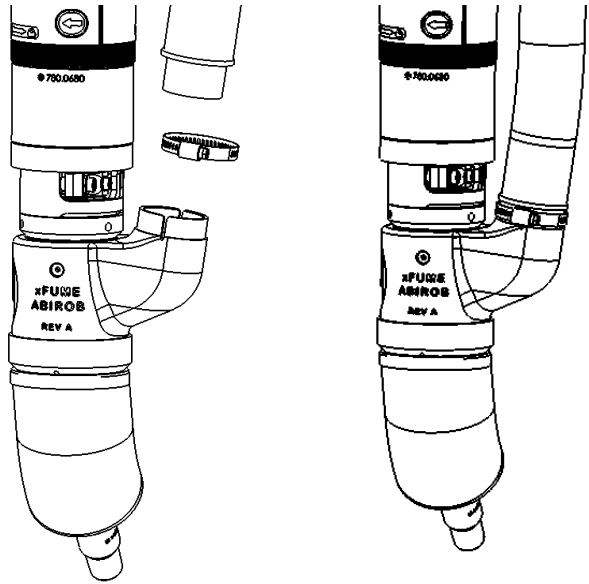


- Tighten the screw, making sure it is aligned with the hole in the locking tab, until the washer teeth engage.

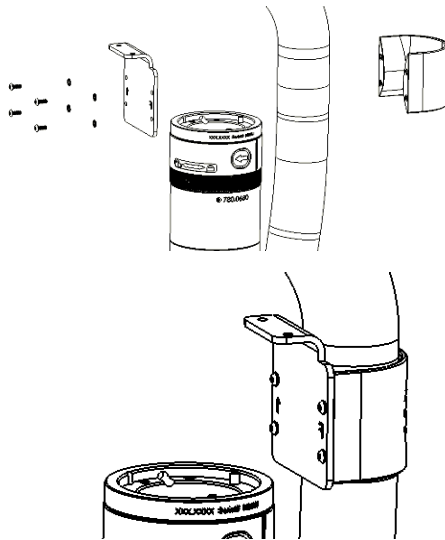


4 Install/Route Extraction Hose

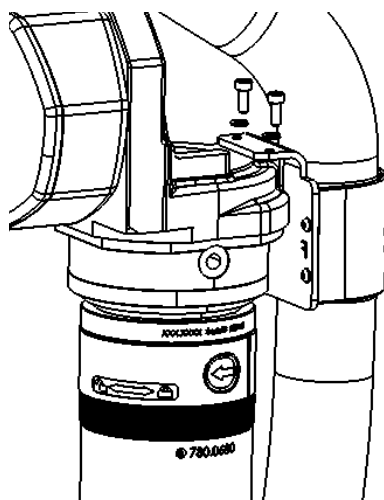
- Insert suction hose coupler into the vent tube. Secure with hose clamp.



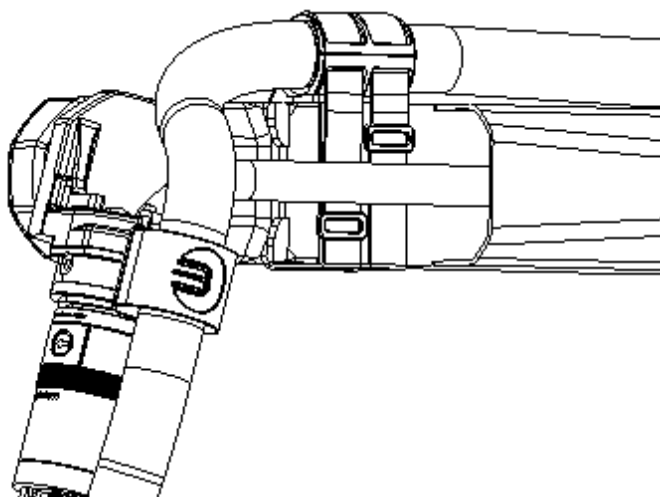
- Align the hose guide and aluminum bracket over the hose in close proximity to the hardware holes on the robot arm. Tighten the screws to secure the extraction hose to the hose guide.



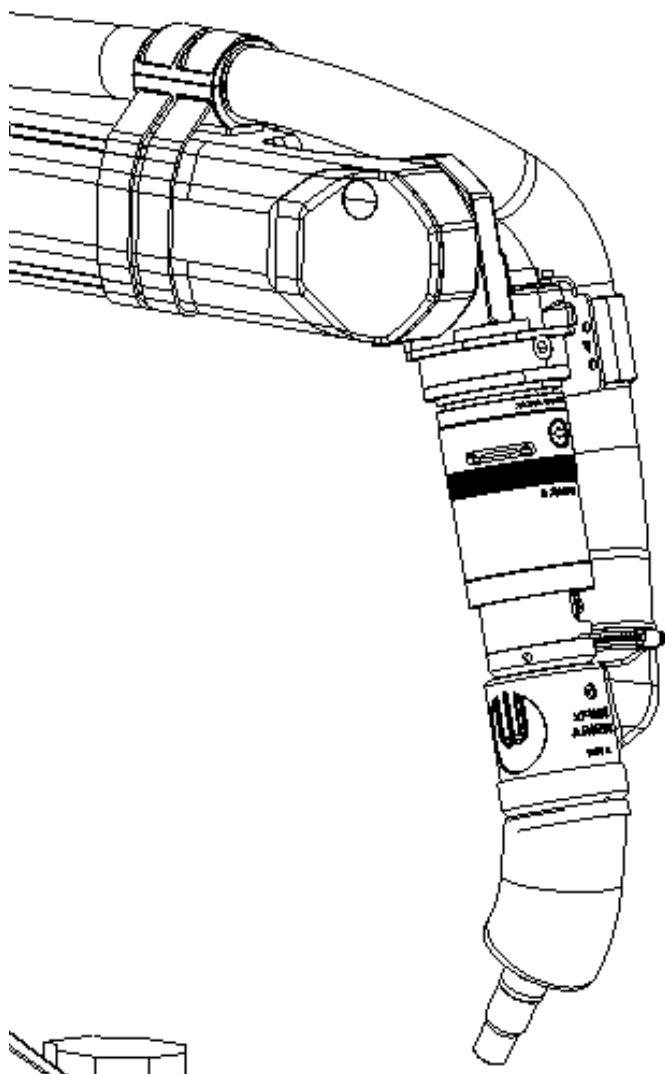
- Mount the bracket to the robot arm. The hose can be pulled up or down in the hose guide for final adjustment. Ensure the hose is in a “neutral” position that is not pushing or pulling on the main housing.



- Lay the extraction hose along the robot arm and between the halves of the hose-management clamp. Keep the clamp as far forward on the robot arm as practical while maintaining a sufficient service loop in the front to allow the robot complete range of motion without excessive pulling, twisting or binding of the extraction hose.

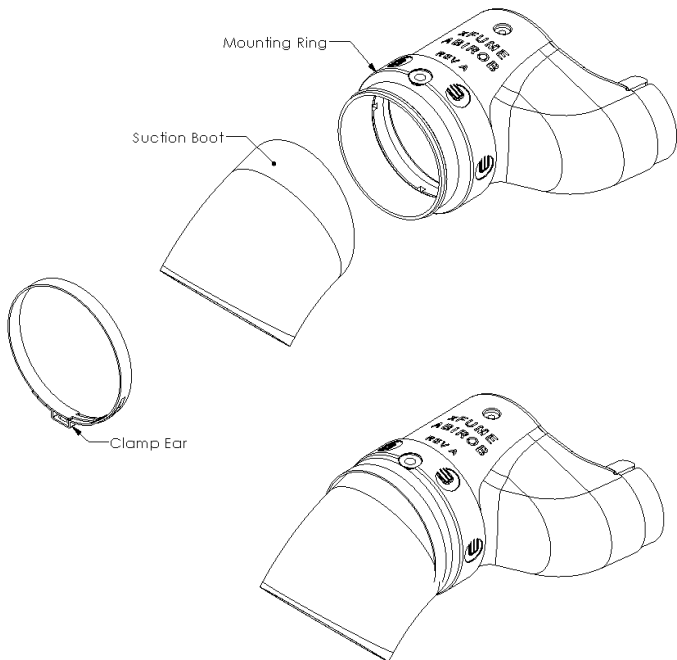


- Secure the clamp by cinching the elastic hook-n-loop straps through the clamp and around the robot arm.



5 Installing/Replacing Suction Boot

- Orient the suction boot so that the seam line on the top (outer) curvature is in line with the set-screw/rotational positioner on the mounting ring. It is recommended to do this with the xFUME Robo housing already installed on the torch to ensure proper orientation/positioning of the suction boot. Align the clamp ear with the bottom (inner) seam line on the suction boot. Before clamping, ensure the boot is fully seated on the mounting ring and that it is more-or-less concentric with the swanneck/nozzle.



Note: if the suction boot does not appear to be more-or-less concentric with the swanneck it may be due to the boot being installed backwards. Try placing the opposite end of the boot onto the mounting ring. If the boot is still not concentric, try to skew the boot on the ring as necessary before clamping.

NOTE: For optimal fume extraction performance, the xFUME Robo should be paired with a vacuum capable of pulling the following minimum static vacuum pressures measured at the end of the 5' suction hose: 22" w.c. for solid wires, 40" w.c. for cored wires. Performance may vary depending on robot position to the arc.

Danger

• Read and follow the manufacturer's instructions, employer's safety practices and Material Safety Data Sheets (MSDSs).

• Only qualified personnel should install, use or service this material and/or equipment.



ELECTRIC SHOCK can kill.

- Always wear dry insulating gloves.
- Do not touch live electrical parts.
- Always disconnect power source before hooking up or changing electrodes, nozzles and other parts.



WELDING SPARKS can cause fire or explosion.

- Do not weld near flammable material.
- Do not weld on closed containers.
- Remove combustibles from the work area and/or provide a fire watch.
- Avoid oily or greasy clothing as a spark may ignite them.



FUMES AND GASES can be hazardous to your health.

- Keep your head out of the fumes.
- Use enough ventilation or exhaust at the arc to keep fumes and gases from your breathing zone, and the general area.
- Fumes from welding and cutting can deplete air quality, causing injury or death. Always wear an air supplied respirator in confined areas or if breathing air is not safe.



ARC RAYS can injure eyes and burn skin.

- Always wear correct eye, ear and body protection.
- Always wear a welding helmet with the proper grade filter lens. Protect yourself and others from spatter arc flash rays by using protective screens, barriers and welding curtains.
- Always wear protective gloves and clothing to cover exposed skin. This will aid in the prevention of arc and spatter burns.



LOUD NOISE can damage hearing.

- Always wear protective hearing devices to ensure protection when noise levels exceed OSHA standards.

Do Not Remove This Label.

ID 123-4567C1

ABICOR BINZEL USA, Inc.

650 Medimmune Court, Suite 110, Frederick, MD 21703
Tel: (301)846-4196 Fax: (301)846-4497 www.binzel-abicor.com

Read American National Standard Z49.1, "Safety in Welding, Cutting and Allied Processes" available from the American Welding Society, 8669 NW 36 St #130, Miami, FL 33166; OSHA Safety and Health Standards, available from U.S. Government Printing Office, Washington, DC 20402



BINZEL, S.A. DE C.V.
Municipio de Pabellon de Arteaga 102
Valle de Aguascalientes, 20358
San Francisco de los Romo, Ags.
MEXICO
Tel: +52(499) 9730133
Fax: +52(449) 9731388
Email: www.binzel.com.mx

ABICOR BINZEL USA, Inc.
650 Medimmune Ct., Suite 110
Frederick, MD 21703-8619
Tel: 301.846.4196
Fax: 301.846.4497
Email: customerservice@abicorusa.com

www.binzel-abicor.com